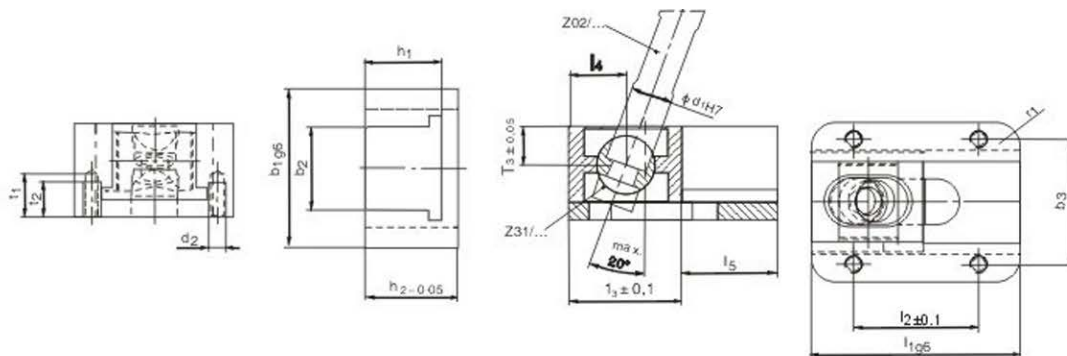


斜頂座 Z1811 SLIDER CORE UNITS



Nr.NO	r1	t3	t2	t1	l5	l4	l3	l2	l1	h2	h1	d2	b3	b2	b1	d1
Z1811/10	5	8.5	10	12	23	13.5	27	30	50	25	20	M5	32	20	40	10
14	6	12.5	12	14	35	17.5	35	50	70	35	28	M6	39	25	48	14

Order: Type No. - D. x Pcs
Z1811/10 x 10

2D下載

3D下載

返回索引