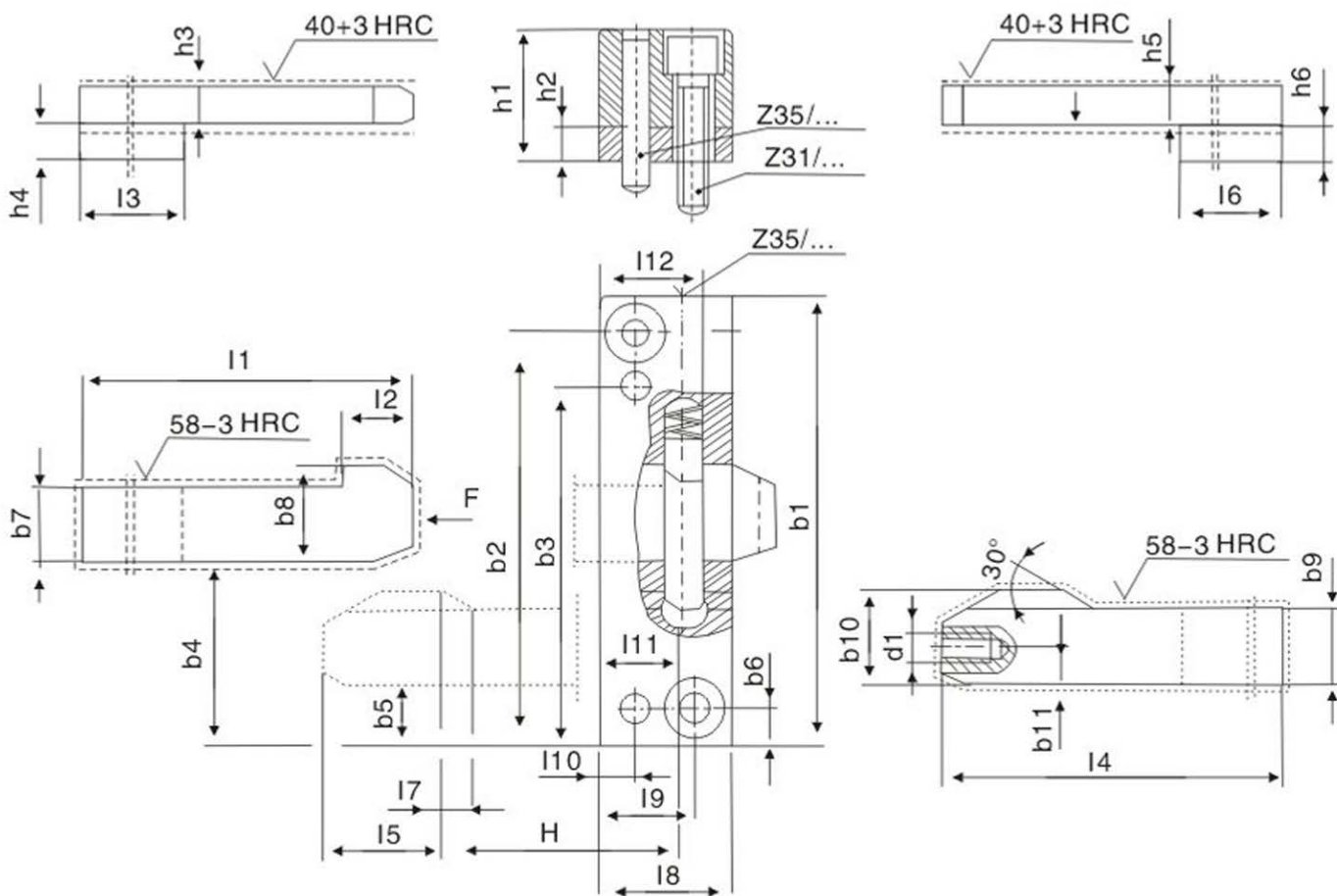




設計簡單，容易安裝。操作時具有高度的可靠性。

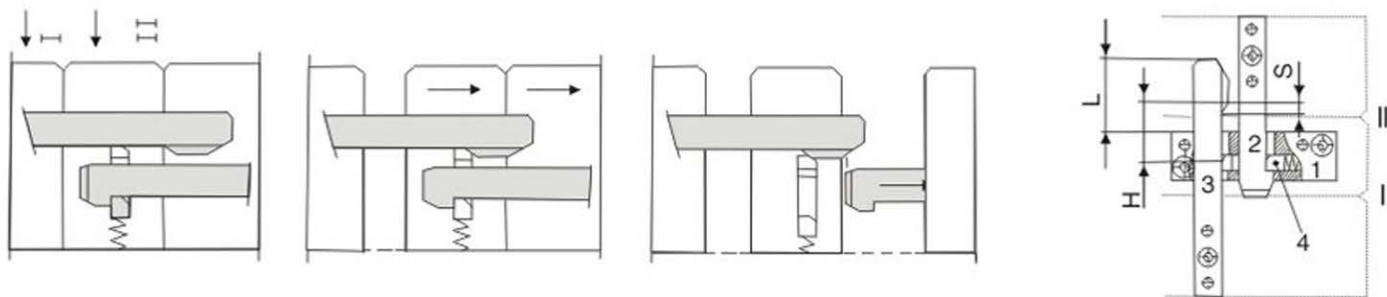
經試驗和測試與Z170可以兩選一使用。

Designed simple, easy to install, the height is adjustable when operating. Test proved that you can choose one from Z171 and Z170.



| Type | b1mm | l8mm | l9mm | l10mm | b6mm | b3mm | b2mm | h2mm | l1mm | b7mm | b8mm | h3mm | l4mm | b9mm |
|--------|------|------|------|-------|------|------|------|------|------|------|------|------|------|------|
| Z171/1 | 75 | 22 | 16 | 6 | 6 | 60 | 69 | 6 | 140 | 12.5 | 16 | 6 | 140 | 12.5 |
| Z171/2 | 90 | 31.5 | 24 | 8 | 7 | 73 | 83 | 7.5 | 180 | 16 | 20.5 | 12.5 | 180 | 16 |
| Z171/3 | 112 | 40 | 30 | 10 | 9 | 88 | 103 | 12 | 250 | 20 | 25.5 | 16 | 250 | 20 |

Example 使用例



Order: Type No. x Pcs
Z171/1 X 10

2D下载

3D下载

返回索引