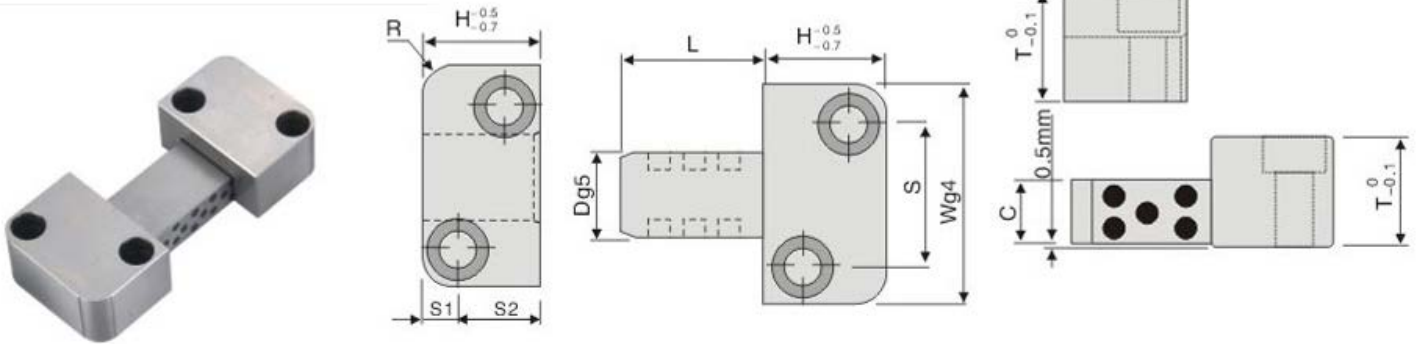


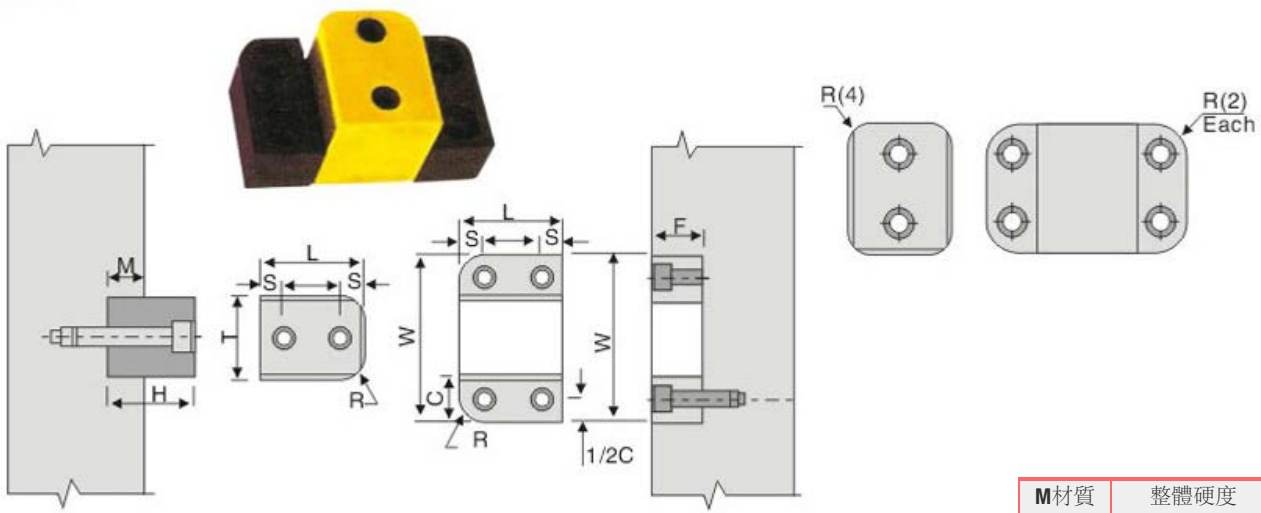
## 定位滑塊 / slide block sets



M材質 Material	硬度
	Hardness
YK30+石墨/graphite	HRC50°~56°

型號/Type	尺寸/dimension										螺絲/screw	
	L	D	T	W	C	H	S1	S2	S	R		
JHN15-16x20	20	16	20	40	11	22	7	15	26	6	M6-1.0×25	
JHN15-16x40	40											
JHN15-20x25	25	20	22	45	13	27	19	31	8			
JHN15-20x50	50											
JHN15-25x32	32	25	25	50	14	36	9	27	35	8		M6-1.0×30
JHN15-25x63	63											
JHN15-32x40	40	32	32	63	19	46	11	35	45	10		M8-1.25×35
JHN15-32x80	80											
JHN15-40x50	50	40	36	85	22	56	15	40	60	10		M10-1.5×40
JHN15-40x100	100											
JHN15-50x56	56	50	40	100	24	66	18	48	74	10	M12-1.75×45	
JHN15-50x112	112											

[2D下載](#)
[3D下載](#)
[返回索引](#)



M材質 Material	整體硬度 Whole Hardness	表面硬度 Surface Hardness
A-2	HRC50°~56°	
H-13	HRC50°~56°	HRC80°

型號/Type	尺寸/dimension									
	W	L+.000+.010	C+.0000+.0003	F+.000+.005	T+.0000+.0003	M	H+.00+.01	S±0.1	R	內六角螺絲 internal hexagon screw S.H.C.S
JHN16-100x150	1.500	1.000	.500	.500	.500	.375	.85	.25	.187	M:#10-32x1" F" # 10-32x5/8"
JHN16-100x250	2.500	1.500	.750	.750	1.000	.625	1.35	.31	.250	M: 1/4-20x1-1/2" F: 1/4-20x7/8"
JHN16-200x350	3.500	2.000	1.000	1.000	1.500	.750	1.73	.44	.375	M:3/8-16x2" F:3/8-16x1-1/4"
JHN16-250x450	4.500	2.500	1.250	1.250	2.000	.875	2.1	.56	.500	M: 1/2-13x2-1/4" F: 1/2-13x2-1/4"

2D下載

3D下載

返回索引