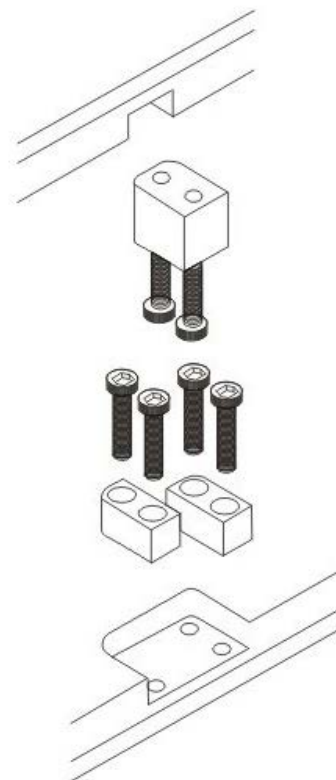


使用例 Example



| M 材質 | Hardness | Heat Treatment |
|----------|------------|------------------|
| Material | 硬度 | 熱處理 |
| SKS3 | HRC53°~60° | 真空處理 Vacuumed |
| SKD11 | HRC58°~62° | 真空處理 Vacuumed |

| Type | T +.0000 -.0005 | L +.000 -.010 | H +.00 -.01 | C | S | D | G | F +.000 -.005 | POCKET(RET) | R1 | R2 | X | S(SHCS) PELLETSCREWS |
|-----------|-----------------------|---------------------|-------------------|------|------|------|------|---------------------|-------------|------|------|------|--|
| JH046-100 | 0.5 | 1.0 | 0.85 | 0.5 | 0.25 | 0.75 | 0.36 | 0.5 | 3/16 or M5 | 0.22 | 0.03 | 0.03 | MALE:#10-32x1" FEMALE:#10-32x5/8" |
| JH046-150 | 1.0 | 1.5 | 1.35 | 0.75 | 0.31 | 1.19 | 0.61 | 0.75 | 1/4 or M6 | 0.34 | 0.06 | 0.06 | MALE:1/4-20x1-1/2" FEMALE:1/4-20x7/8" |
| JH046-200 | 1.5 | 2.0 | 1.73 | 1.00 | 0.44 | 1.56 | 0.73 | 1.00 | 3/8 or M8 | 0.44 | 0.06 | 0.06 | MALE:3/8-16x2" FEMALE:3/8-16x1-1/4" |
| JH046-250 | 2.0 | 2.5 | 2.11 | 1.25 | 0.56 | 1.94 | 0.86 | 1.25 | 1/2 or M12 | 0.53 | 0.09 | 0.09 | MALE:1/2-13x2-1/4" FEMALE:1/2-13x1-1/2" |

● Order:Type

備注：圓面以外特殊規格可定制

2D下載

3D下載

返回索引