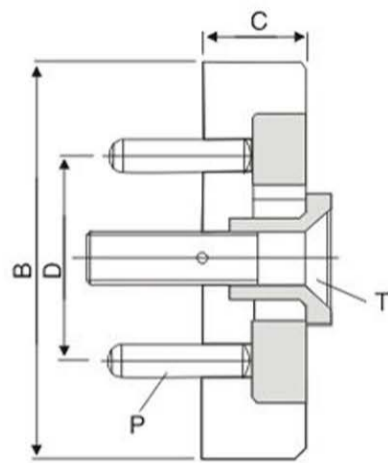
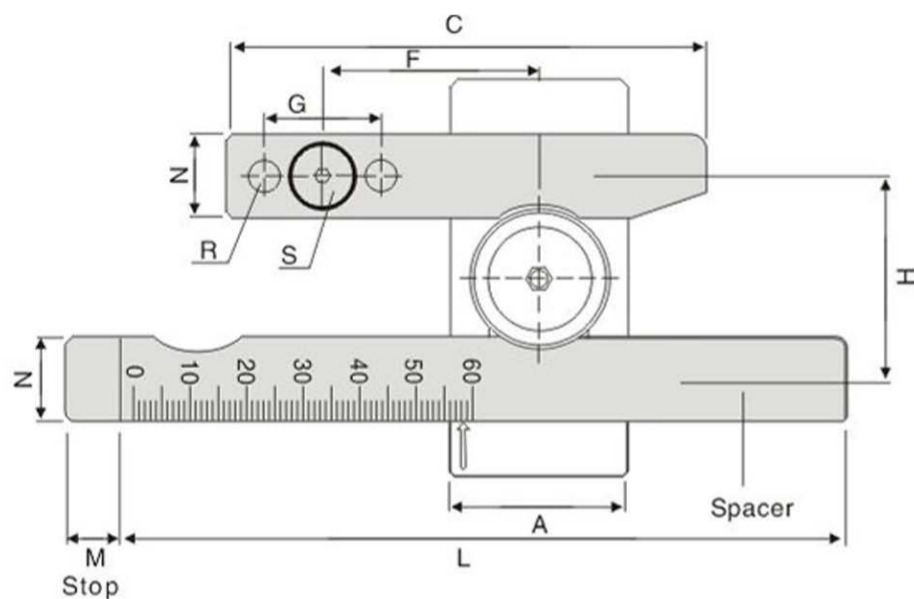




獨特的設計與精確的刻度尺保證了在第一次開模具有很高的精度。  
 比傳統模式更節約成本, 優化模具結構。  
 More accurate first plate opening compared to other conventional systems .  
 Scale lever indicates opening of the first plate.  
 Reduces costs compared to conventional mechanisms.

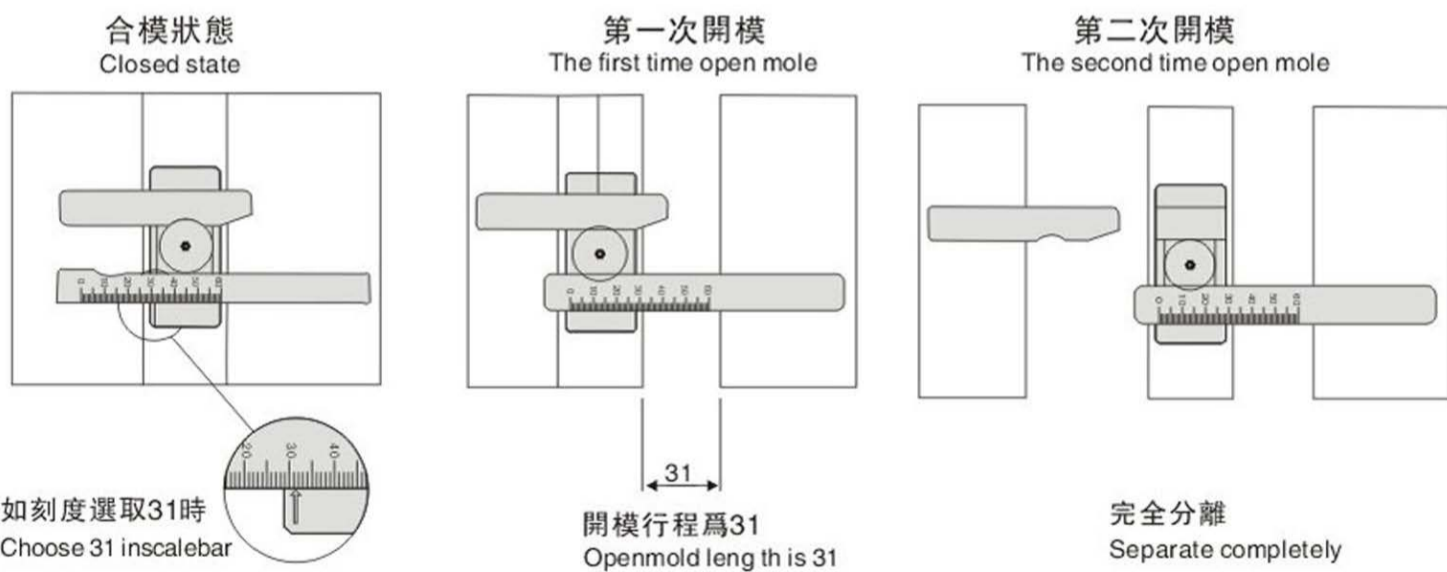
材質	硬度
1.0503	55°±3°HRC



Type	尺寸Size																sca
	A	B	C	D	E	F	G	H	L	M	N	P(x2)	R(x4)	S(x2)	T		
GGs.226616	22	66	16	38	75	30	25	32	105	10	15	Ø6x20	Ø6x30	M6x30	M6x35	40	
GGs.368619	36	86	19	46	102	43	32	42.7	153	12	20	Ø8x24	Ø8x36	M8x36	M8x40	60	
GGs.421024	42	106	24	56	124	51	40	50.2	190	15	24.5	Ø10x30	Ø10x40	M10x40	M10x45	80	

使用例

Example



Order:  x   
 GGS.226616 X 10

\* 注意：選擇所需行程後，再固定墊閘上的刻度杆  
 Note : Fix the scale bar in cushion plate before choose the length

2D下載 3D下載 返回索引